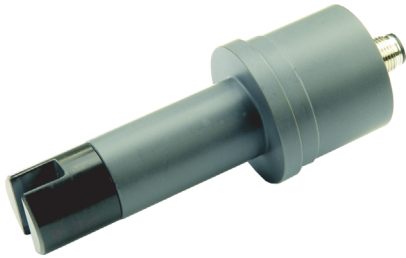


Product Information

Analysis - Conductivity

Conductivity Cell LF3213 / LF4213



Characteristics

- 4-electrode flow cell for outer pipe diameter from 20 mm up to 63 mm
- Mounting with PVC-U standard fittings
- Measuring range from 0..20 µS/cm up to 0..500 mS/cm
- Insensitive against soiling
- No influence from polarization effects and line resistance
- Accessory flow fitting DFA32

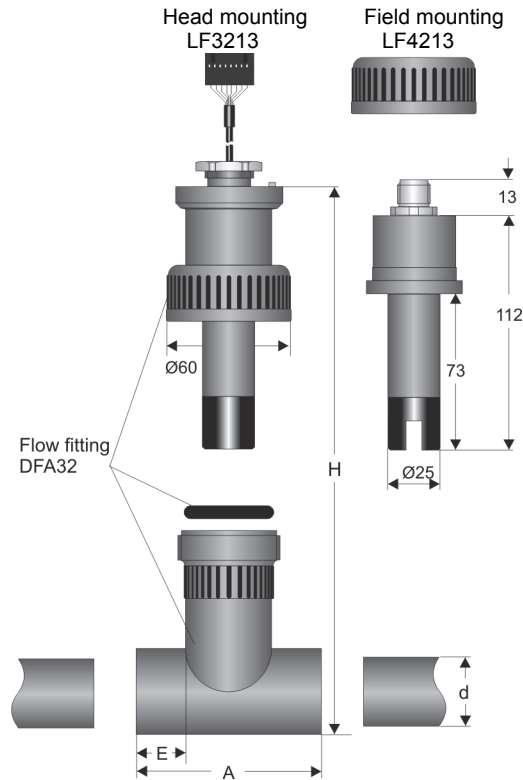
Technical data

Cell constant : C = 0.5 exact cell constant labeled on the type plate
 Operating temperature : 0..60 °C
 Process pressure : max. 16 bar at 22°C
 Process connection : PVC fitting with cap nut
 Process material : PVC-U, casting resin, graphite (electrodes)

Electrical connection
 LF3213 : flat cable connector, only head mounting UNICON-LF
 LF4213 : 8 pole round connector plug M12x1, IP67

-Material : brass nickel plated
 Temperature measurement : integrated Pt1000 sensor DIN IEC751, class A

Dimensions



d	H	A	E
20	142	78	22
25	142	78	22
32	142	78	22
40	154	98	26
50	165	118	31
63	179	144	38

Ordering code

1. 2.
 LF - C0.5 -

1. Model (including cap nut)	
3213	head mounting UNICON-LF
4213	field mounting
2. Options	
00	without option
03	8 pole cable plug SS-type for connection at UNICON-LF, field case
Accessory flow fitting DFA 32, PVC-U	
DFA32-20-1-1	d = 20 mm
DFA32-25-1-1	d = 25 mm
DFA32-32-1-1	d = 32 mm
DFA32-40-1-1	d = 40 mm
DFA32-50-1-1	d = 50 mm
DFA32-63-1-1	d = 63 mm

Connection diagram see page Fehler: Referenz nicht gefunden

Additional accessories see page Fehler: Referenz nicht gefunden